

Compact Cylinder/ Polygonal Piston Rectangle Type

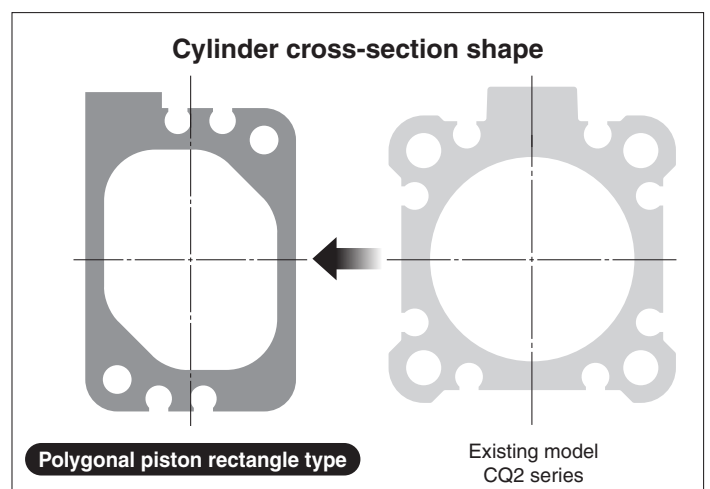


Size: 32, 40, 50

Now, more compact and lightweight due to the adoption of a polygonal piston!
The same height as the existing model but with reduced width and overall length



Weight	28^{*1} % reduction 278 g → 200 g
Width	27^{*2} % reduction 45 mm → 33 mm
Overall length	7^{*2} % reduction 50 mm → 46.5 mm

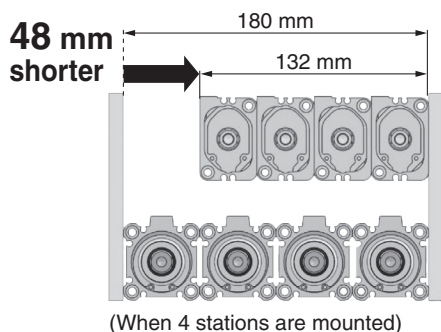
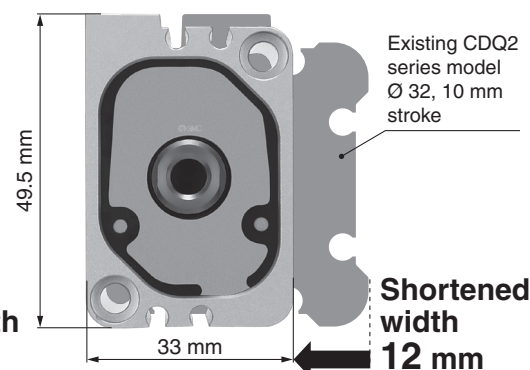


*1 Compared with the CDQ2 series, Ø 32, 30 mm stroke
*2 Compared with the CDQ2 series, Ø 32, 10 mm stroke

Polygonal piston rectangle type
Size 32, 10 mm stroke

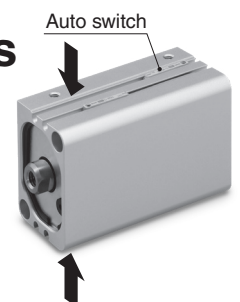


Shortened overall length
3.5 mm



Small auto switches can be mounted on 2 surfaces.

Applicable auto switch: D-M9□



CDQ2B-X3164

CDQ2B-X3164

Specifications

Size	32 (Equiv. Ø 32 piston area)	40 (Equiv. Ø 40 piston area)	50 (Equiv. Ø 50 piston area)
Action	Double acting		
Fluid	Air		
Proof pressure	1.0 MPa		
Max. operating pressure	0.7 MPa*2		
Min. operating pressure	0.05 MPa		
Ambient and fluid temperatures	5 to 60 °C		
Piston speed	50 to 500 mm/s	50 to 300 mm/s*2	
Cushion	Rubber bumper		
Lubrication	Not required (Non-lube)		
Stroke length tolerance	+1.3 0 mm*1		
Allowable kinetic energy	0.15 J	0.26 J	0.46 J

*1 Stroke length tolerance does not include the amount of bumper change.

Depending on the system configuration selected, the specified speed may not be satisfied.

*2 Maximum operating pressure and piston speed are different from the existing product (CQ2 series).

Standard Strokes

Size	Standard stroke [mm]
32	10, 20, 30, 40, 50
40	
50	

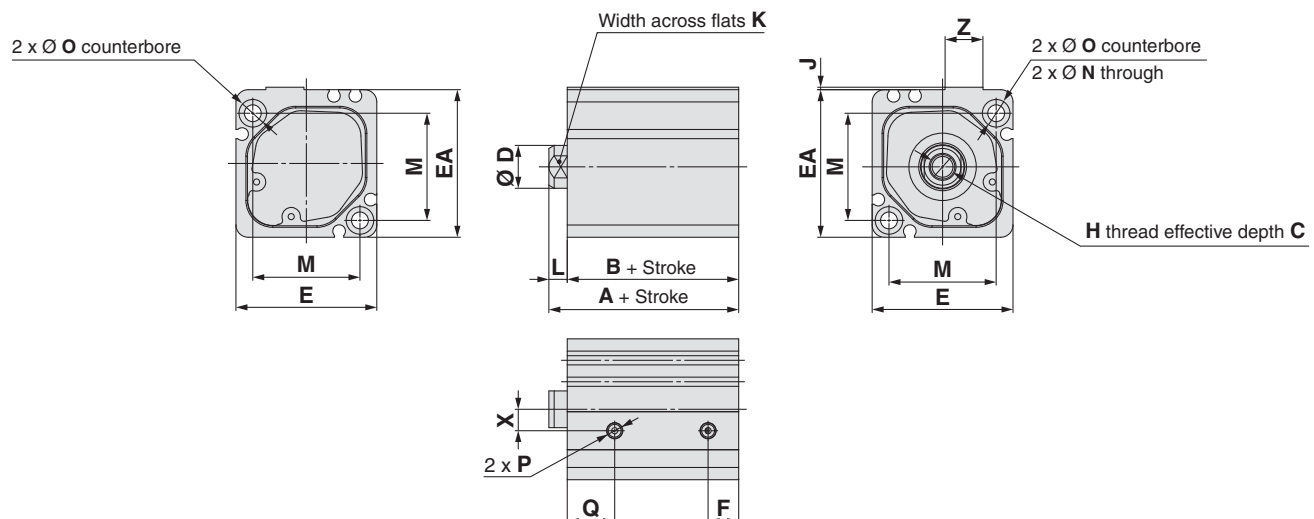
Theoretical Output



Size	Rod operating direction	Piston area [mm ²]	Operating air pressure [MPa]					
			0.2	0.3	0.4	0.5	0.6	0.7
32	IN	693	139	208	277	346	416	485
	OUT	806	161	242	322	403	484	564
40	IN	1104	221	331	442	552	662	773
	OUT	1258	252	377	503	629	755	881
50	IN	1707	341	512	683	853	1024	1195
	OUT	1961	392	588	784	981	1177	1373

* Theoretical output [N] = Pressure [MPa] x Piston area [mm²]

Dimensions



Size	A	B	C	D	E	EA	F	H	J	K	L	M	MA	N	O	P	Q	X	Z
32	36.5	31.5	12	12	33	47.5	8.5	M6 x 1.0	2	10	5	23	37.5	4.5	8 depth 6	M5 x 0.8	12.5	10.3	12
40	44	38	13	14	39	56.5	9.5	M8 x 1.25	0.5	12	6	28	45.5	5.5	9 depth 7	M5 x 0.8	16.5	13.5	12
50	51.5	43.5	15	18	48	68.5	11.5	M10 x 1.5	2.5	16	8	35	55.5	6.6	11 depth 8	Rc1/8	19.5	16.5	15

SMC Corporation (Europe)

SMC Corporation
 Akihabara UDX 15F, 4-14-1, Sotokanda, Chiyoda-ku, Tokyo 101-0021, JAPAN
 Phone: 03-5207-8249 Fax: 03-5298-5362
 SMC CORPORATION All Rights Reserved

European Marketing Centre (EMC)

Zuazobidea 14, 01015 Vitoria
 Tel: +34 945-184 100 Fax: +34 945-184 124
 URL <http://www.smc.eu>